

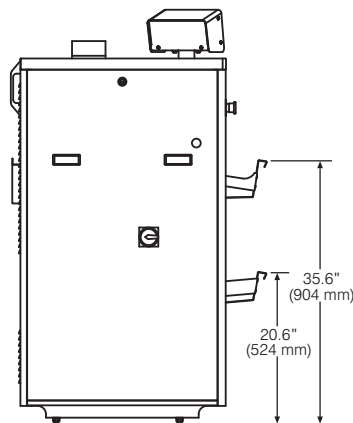
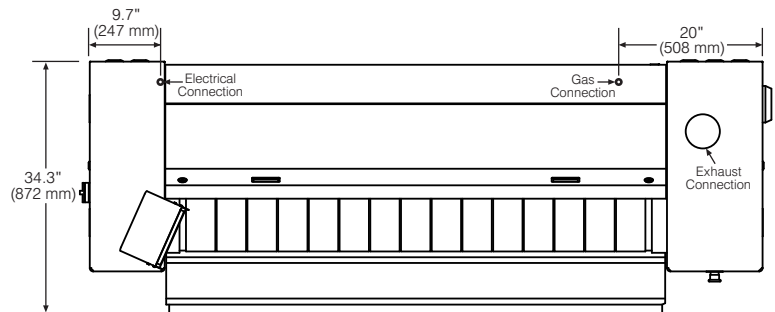
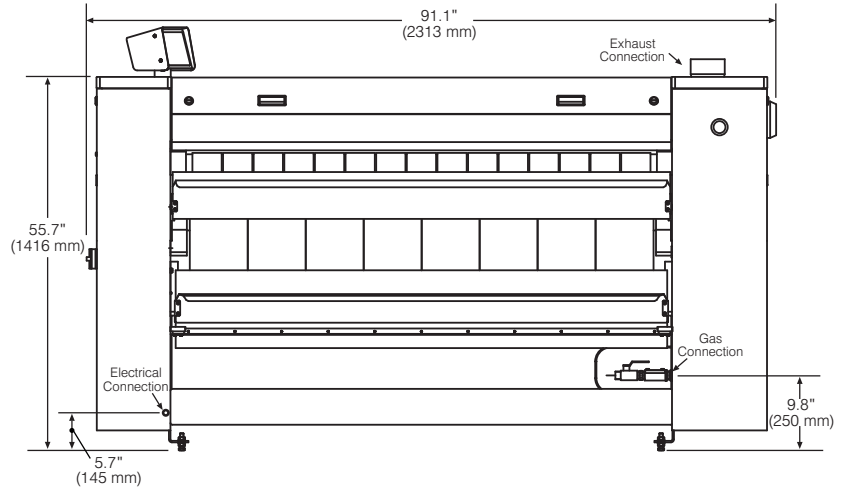
X13061

**POSEIDON HEATED-ROLL
FLATWORK IRONER**



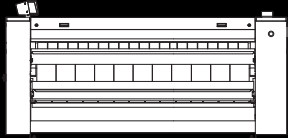
2329 Alger • Troy, MI 48083
800.482.3400 • FAX 248.457.1140
www.poseidontextilecare.com

Cylinder Diameter <i>inch (mm)</i>	12.8 (325)
Usable Cylinder Width <i>inch (mm)</i>	60.6 (1540)
Evaporation Capability <i>gal/h (l/h)</i>	3.96 (15)
Ironing Speed <i>ft/min (m/min)</i>	3-36 (1-11)
Net Weight <i>lbs (kg)</i>	1012 (459)
Crated Weight <i>lbs (kg)</i>	1360 (617)
Machine Width <i>inch (mm)</i>	91.1 (2313)
Machine Depth <i>inch (mm)</i>	34.3 (872)
Machine Height <i>inch (mm)</i>	55.7 (1416)
Feed Height <i>inch (mm)</i>	39.2 (996)
Shipping Dimensions <i>inch (mm)</i> (WxDxH)	96.4 x 35.6 x 63 (2448 x 905 x 1600)
Motor Power <i>Hp</i>	
Roller Motor	0.40
Extraction Motor	0.40
Exhaust Diameter <i>inch (mm)</i>	4.5 (114)
Exhaust Air Flow <i>cfm (m³/h)</i>	
Gas	387 (658)
Electric	353 (600)
Electric Heating <i>kW</i>	
208/60/3	12.39
240/60/3	16.5
Gas Connection <i>inch (mm)</i>	3/4 NPT (19)
Gas Heating <i>BTU/h</i>	
Natural	79,844
Propane	76,773
Gas Consumption <i>cfm (m³/h)</i>	
Natural	1.46 (2.48)
Propane	3.78 (1.72)
Gas Pressure <i>inch wc</i>	
Natural	7
Propane	11
Circuit Protection <i>Amps</i>	
Gas 208-240/60/1	6
Electric 208/60/3	63
Electric 240/60/3	63
Full Load <i>Amps</i>	
Gas 208-240/60/1	4.7
Electric 208/60/3	39
Electric 240/60/3	44



Specifications subject to change without notice or obligation.
Call Poseidon Textile Care for dimensions not shown or for clarification.

ARCHITECTURAL/MECHANICAL PRODUCT SPECIFICATIONS



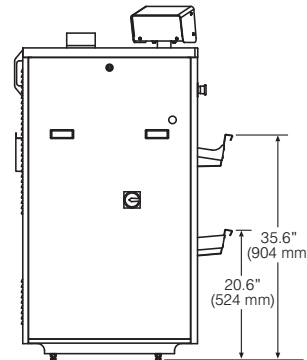
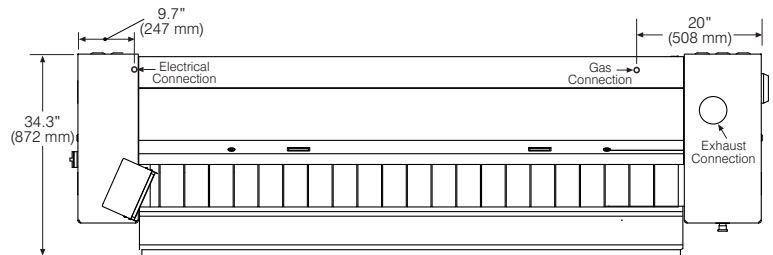
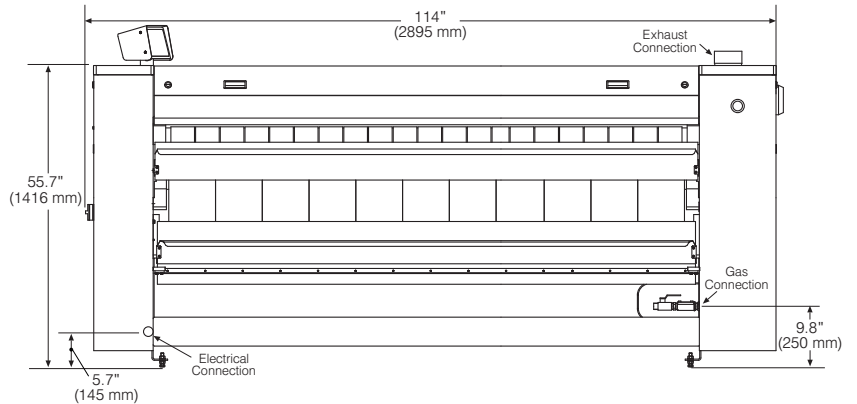
X13084

**POSEIDON HEATED-ROLL
FLATWORK IRONER**



2329 Alger • Troy, MI 48083
800.482.3400 • FAX 248.457.1140
www.poseidontextilecare.com

Cylinder Diameter <i>inch (mm)</i>	12.8 (325)
Usable Cylinder Width <i>inch (mm)</i>	83.5 (2120)
Evaporation Capability <i>gal/h (l/h)</i>	5.28 (20)
Ironing Speed <i>ft/min (m/min)</i>	3-36 (1-11)
Net Weight <i>lbs (kg)</i>	1237 (561)
Crated Weight <i>lbs (kg)</i>	1630 (740)
Machine Width <i>inch (mm)</i>	114 (2895)
Machine Depth <i>inch (mm)</i>	34.3 (872)
Machine Height <i>inch (mm)</i>	55.7 (1416)
Feed Height <i>inch (mm)</i>	39.2 (996)
Shipping Dimensions <i>inch (mm)</i> (WxDxH)	119.5 x 35.6 x 63 (3036 x 905 x 1600)
Motor Power <i>Hp</i>	
Roller Motor	0.40
Extraction Motor	0.40
Exhaust Diameter <i>inch (mm)</i>	4.5 (114)
Exhaust Air Flow <i>cfm (m³/h)</i>	
Gas	387 (658)
Electric	353 (600)
Electric Heating <i>kW</i>	
208/60/3	17.44
240/60/3	23.22
Gas Connection <i>inch (mm)</i>	3/4 NPT (19)
Gas Heating <i>BTU/h</i>	
Natural	98,611
Propane	102,705
Gas Consumption <i>cfm (m³/h)</i>	
Natural	1.8 (3.06)
Propane	5.06 (2.29)
Gas Pressure <i>inch wc</i>	
Natural	7
Propane	11
Circuit Protection <i>Amps</i>	
Gas 208-240/60/1	6
Electric 208/60/3	80
Electric 240/60/3	80
Full Load <i>Amps</i>	
Gas 208-240/60/1	4.7
Electric 208/60/3	53
Electric 240/60/3	61

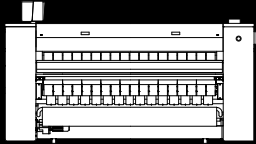


Specifications subject to change without notice or obligation.
Call Poseidon Textile Care for dimensions not shown or for clarification.



2329 Alger • Troy, MI 48083
800.482.3400 • FAX 248.457.1140

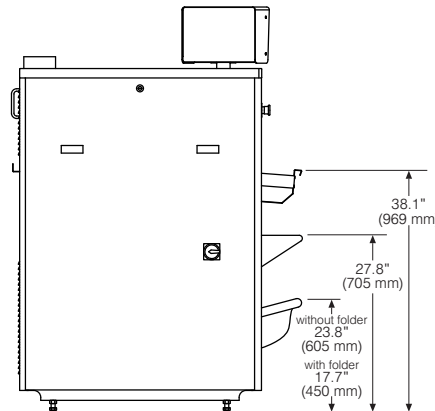
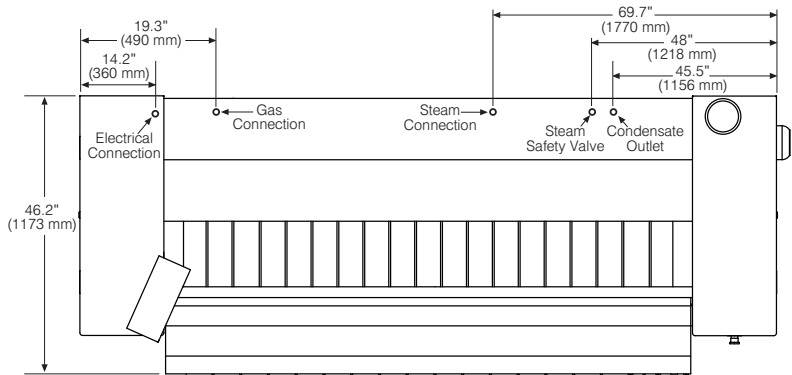
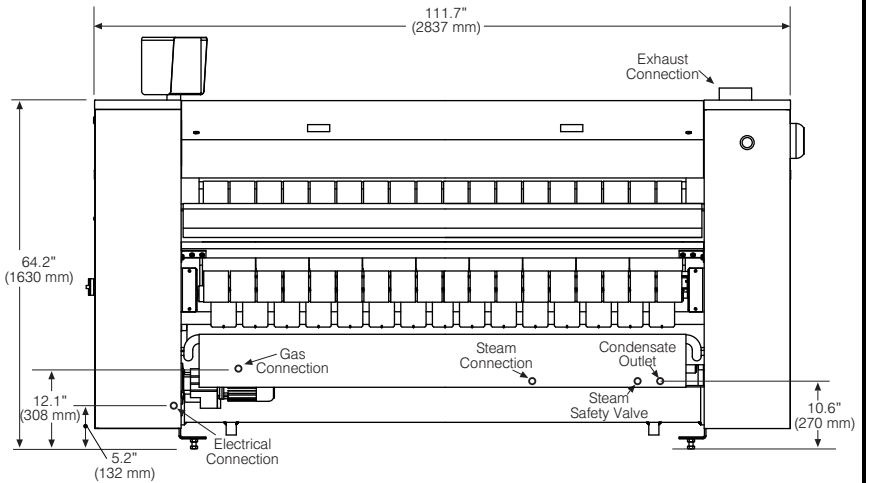
www.poseidontextilecare.com



X20075

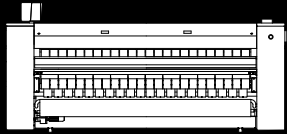
POSEIDON HEATED-ROLL
FLATWORK IRONER

Cylinder Diameter <i>inch (mm)</i>	20.1 (510)
Usable Cylinder Width <i>inch (mm)</i>	74.8 (1900)
Evaporation Capability <i>gal/h (l/h)</i>	
Gas/Electric	7.93 (30)
Steam	11.1 (42)
Ironing Speed <i>ft/min (m/min)</i>	4-49 (1-15)
Net Weight <i>lbs (kg)</i>	
Gas/Electric <i>without folder</i>	2282 (1035)
<i>with folder</i>	2496 (1132)
Steam <i>without folder</i>	2525 (1145)
<i>with folder</i>	2739 (1242)
Crated Weight <i>lbs (kg)</i>	
Gas/Electric <i>without folder</i>	2834 (1285)
<i>with folder</i>	3080 (1397)
Steam <i>without folder</i>	3076 (1395)
<i>with folder</i>	3323 (1507)
Machine Width <i>inch (mm)</i>	111.7 (2837)
Machine Depth <i>inch (mm)</i>	46.2 (1173)
Machine Height <i>inch (mm)</i>	64.2 (1630)
Feed Height <i>inch (mm)</i>	40.6 (1030)
Shipping Dimensions (WxDxH) <i>inch (mm)</i>	
<i>without folder</i>	117.6 x 45.5 x 71.9 (2986 x 1155 x 1825)
<i>with folder</i>	117.6 x 50.6 x 71.9 (2986 x 1285 x 1825)
Motor Power <i>Hp</i>	
Roller Motor	0.40
Extraction Motor	0.74
Exhaust Diameter <i>inch (mm)</i>	5.1 (130)
Exhaust Air Flow <i>cfm (m³/h)</i>	
Gas	564 (958)
Electric/Steam	634 (1077)
Electric Heating <i>kW</i>	
208/60/3	28.34
240/60/3	37.73
Gas Connection <i>inch (mm)</i>	3/4 NPT (19)
Gas Heating <i>BTU/h</i>	
Natural	163,100
Propane	158,323
Gas Consumption <i>cfm (m³/h)</i>	
Natural	2.98 (5.06)
Propane	7.81 (3.54)
Gas Pressure <i>inch wc</i>	
Natural	7
Propane	11
Steam Connection <i>inch (mm)</i>	1 (25.4)
Steam Condensate Outlet <i>inch (mm)</i>	3/4 (19)
Steam Heating <i>BTU/h</i>	166,513
Steam Consumption <i>lbs/h (kg/h)</i>	190 (86)
Steam Pressure <i>PSI (bar)</i>	116 (8)
Safety Valve Connection <i>inch (mm)</i>	1 (25.4)
Circuit Protection <i>Amps</i>	
Gas/Steam 208-240/60/1	10
Electric 208/60/3	125
240/60/3	125
Full Load <i>Amps</i>	
Gas/Steam 208-240/60/1	6.1
Electric 208/60/3	85
240/60/3	97



Specifications subject to change without notice or obligation.
Call Poseidon Textile Care for dimensions not shown or for clarification.

ARCHITECTURAL/MECHANICAL PRODUCT SPECIFICATIONS



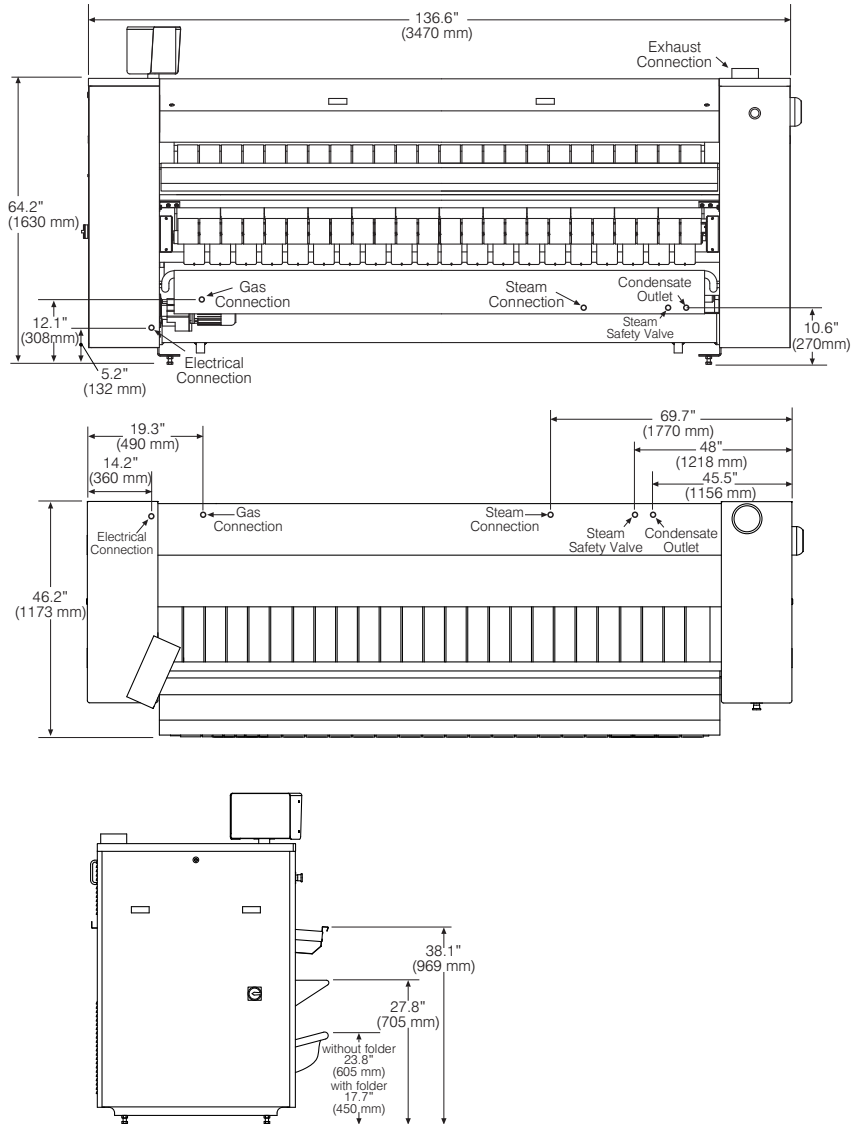
X20100

**POSEIDON HEATED-ROLL
FLATWORK IRONER**



2329 Alger • Troy, MI 48083
800.482.3400 • FAX 248.457.1140
www.poseidontextilecare.com

Cylinder Diameter <i>inch (mm)</i>	20.1 (510)
Usable Cylinder Width <i>inch (mm)</i>	99.6 (2530)
Evaporation Capability <i>gal/h (l/h)</i>	
Gas/Electric	10.57 (40)
Steam	14.79 (56)
Ironing Speed <i>ft/min (m/min)</i>	4-49 (1-15)
Net Weight <i>lbs (kg)</i>	
Gas/Electric <i>without folder</i>	2788 (1265)
<i>with folder</i>	3069 (1392)
Steam <i>without folder</i>	3031 (1375)
<i>with folder</i>	3312 (1502)
Crated Weight <i>lbs (kg)</i>	
Gas/Electric <i>without folder</i>	3439 (1560)
<i>with folder</i>	3775 (1712)
Steam <i>without folder</i>	3681 (1670)
<i>with folder</i>	4017 (1822)
Machine Width <i>inch (mm)</i>	136.6 (3470)
Machine Depth <i>inch (mm)</i>	46.2 (1173)
Machine Height <i>inch (mm)</i>	64.2 (1630)
Feed Height <i>inch (mm)</i>	40.6 (1030)
Shipping Dimensions (WxDxH) <i>inch (mm)</i>	
without folder	142.1 x 45.5 x 71.9 (3610 x 1155 x 1825)
with folder	142.1 x 50.6 x 71.9 (3610 x 1285 x 1825)
Motor Power <i>Hp</i>	
Roller Motor	0.40
Extraction Motor	0.74
Exhaust Diameter <i>inch (mm)</i>	5.1 (130)
Exhaust Air Flow <i>cfm (m³/h)</i>	
Gas	564 (958)
Electric/Steam	634 (1077)
Electric Heating <i>kW</i>	
208/60/3	37.06
240/60/3	49.34
Gas Connection <i>inch (mm)</i>	3/4 NPT (19)
Gas Heating <i>BTU/h</i>	
Natural	208,823
Propane	201,999
Gas Consumption <i>cfm (m³/h)</i>	
Natural	3.81 (6.48)
Propane	9.95 (4.51)
Gas Pressure <i>inch wc</i>	
Natural	7
Propane	11
Steam Connection <i>inch (mm)</i>	1 (25.4)
Steam Condensate Outlet <i>inch (mm)</i>	3/4 (19)
Steam Heating <i>BTU/h</i>	221,789
Steam Consumption <i>lbs/h (kg/h)</i>	254 (115)
Steam Pressure <i>PSI (bar)</i>	116 (8)
Safety Valve Connection <i>inch (mm)</i>	1 (25.4)
Circuit Protection <i>Amps</i>	
Gas/Steam 208-240/60/1	10
Electric 208/60/3	160
240/60/3	160
Full Load <i>Amps</i>	
Gas/Steam 208-240/60/1	6.1
Electric 208/60/3	109
240/60/3	125

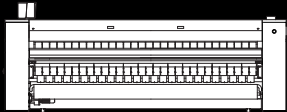


Specifications subject to change without notice or obligation.
Call Poseidon Textile Care for dimensions not shown or for clarification.



2329 Alger • Troy, MI 48083
800.482.3400 • FAX 248.457.1140

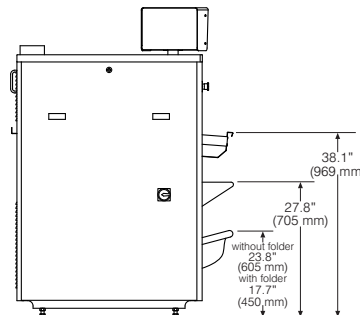
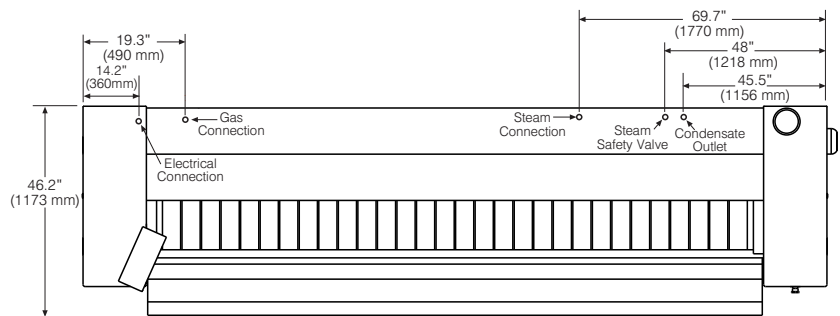
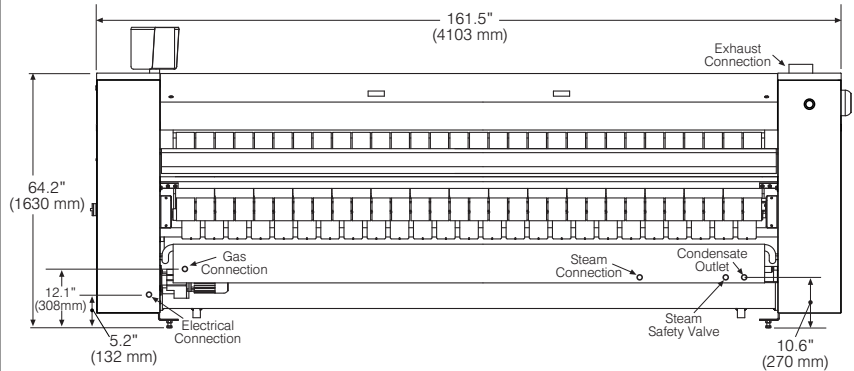
www.poseidontextilecare.com



X20125

**POSEIDON HEATED-ROLL
FLATWORK IRONER**

Cylinder Diameter	inch (mm)	20.1 (510)
Usable Cylinder Width	inch (mm)	124.6 (3165)
Evaporation Capability	gal/h (l/h)	
	Gas	15.85 (60)
	Electric	13.21 (50)
	Steam	18.49 (70)
Ironing Speed	ft/min (m/min)	4-49 (1-15)
Net Weight	lbs (kg)	
	Gas/Electric	without folder with folder
Steam	without folder with folder	3379 (1533) 3739 (1696)
	Crated Weight	lbs (kg)
Gas/Electric		without folder with folder
Steam	without folder with folder	4118 (1868) 4533 (2056)
	Machine Width	inch (mm)
Machine Depth	inch (mm)	46.2 (1173)
Machine Height	inch (mm)	64.2 (1630)
Feed Height	inch (mm)	40.6 (1030)
Shipping Dimensions (WxDxH)	inch (mm)	
	without folder with folder	167.3 x 45.5 x 71.9 (4250 x 1155 x 1825) 167.3 x 50.6 x 71.9 (4250 x 1285 x 1825)
Motor Power	Hp	
	Roller Motor Extraction Motor	0.40 0.74
Exhaust Diameter	inch (mm)	5.1 (130)
Exhaust Air Flow	cfm (m ³ /h)	
	Gas Electric/Steam	564 (958) 634 (1077)
Electric Heating	kW	
	208/60/3 240/60/3	47.32 63
Gas Connection	inch (mm)	3/4 NPT (19)
Gas Heating	BTU/h	
	Natural Propane	256,593 256,934
Gas Consumption	cfm (m ³ /h)	
	Natural Propane	4.69 (7.96) 12.66 (5.74)
Gas Pressure	inch wc	
	Natural Propane	7 11
Steam Connection	inch (mm)	1 (25.4)
Steam Condensate Outlet	inch (mm)	3/4 (19)
Steam Heating	BTU/h	277,748
Steam Consumption	lbs/h (kg/h)	317 (144)
Steam Pressure	PSI (bar)	116 (8)
Safety Valve Connection	inch (mm)	1 (25.4)
Circuit Protection	Amps	
	Gas/Steam Electric	208-240/60/1 208/60/3 240/60/3
Full Load	Amps	
	Gas/Steam Electric	208-240/60/1 208/60/3 240/60/3



Specifications subject to change without notice or obligation.
Call Poseidon Textile Care for dimensions not shown or for clarification.